

FEATURES

- ▶ Control and display the status of alarm areas/zones
- ▶ Back-lit 2-line x 16 character liquid crystal display (LCD)
- ▶ Compatible with PACOM 8002 and 8003 Controllers
- ▶ Configurable messages and welcome text
- ▶ Buzzer with programmable frequencies
- ▶ Automatic baud-detect for fast and easy installation
- ▶ Tamper switch
- ▶ Tri-color alarm area status LEDs
- ▶ Built-in door controller (8101R only)



The PACOM 8101 Series Keypad features a modern design and intuitive button symbols for simple user operation. Equipped with a 2-line x 16 character liquid crystal display (LCD) and soft-touch buttons, the 8101 Keypad can be used for local management of alarm areas.

The 8101 Series Keypad communicates via RS485 to the PACOM Controller. Any alarm area can be managed by the keypad and tri-color LEDs can be assigned to indicate the status of each alarm area.

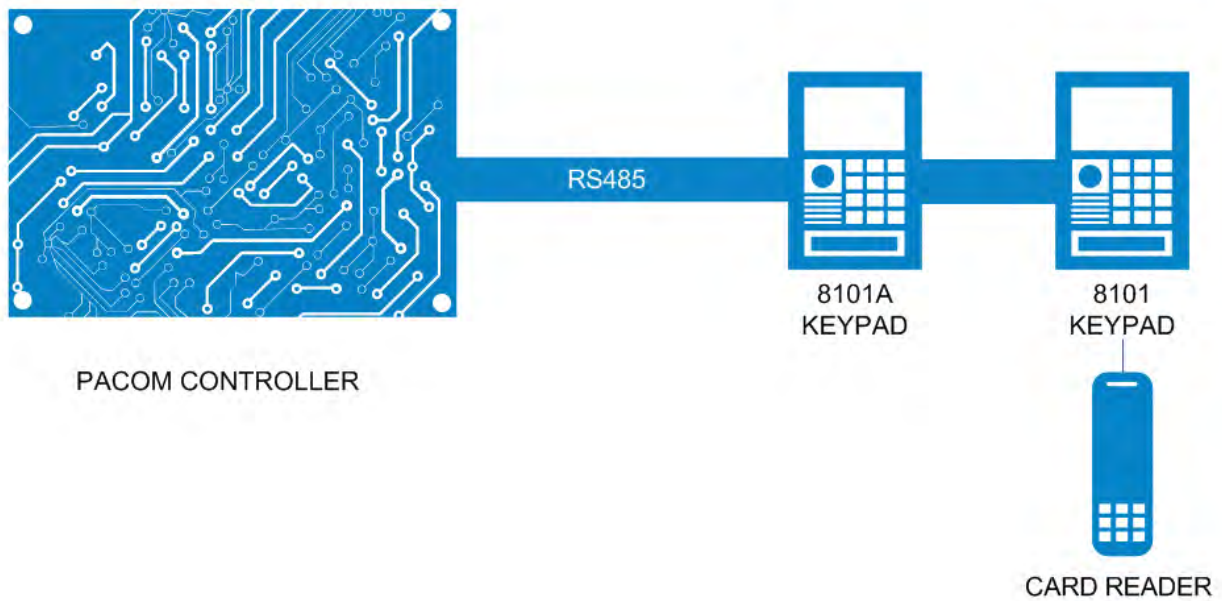
Two models are available:

- the 8101A, which is designed purely for PIN-based alarm operation
- the 8101, which includes an integrated single door controller for access control and simple PIN-free system operation.

Both keypad models are compatible with PACOM 8000 Series Controllers.

The PACOM 8101 Keypad features modern and intuitive design for simple user operation and is compatible with PACOM 8002 and 8003 Controllers.

ARCHITECTURE



TECHNICAL SPECIFICATIONS

ELECTRICAL

| | |
|---------------------|--|
| Input Voltage | 12 to 15VDC |
| Current Consumption | 310mA @ 12VDC typical 390mA maximum |

ENVIRONMENTAL

| | |
|-----------------------|---|
| Class | II |
| Operating Temperature | EU: -10 to +55°C (14 to 131°F) UL: 0 to 50°C (32 to 122°F) |
| Maximum Humidity | 90% (non-condensing) @ 40°C (104°F) |

PHYSICAL

| | |
|------------------------|-------------------------------------|
| Enclosure Construction | ABS plastic |
| Dimensions | 160 x 110 x 30mm (6.3 x 4.3 x 1.2") |
| Packed Weight | 400g (14.1oz) |

COMMUNICATIONS

| | |
|------|-------|
| Port | RS485 |
|------|-------|

SIGNALING

| | |
|--------|--|
| Input | 2 x end-of-line (EOL) monitored for egress button and door contacts 2 x non-EOL monitored, D0 and D1 |
| Output | 1 x door strike (normally open (N/O) or normally closed (N/C)) - 2A rating 3 x open collector for red and green LEDs and buzzer - 2A rating |

SECURITY

| | |
|-----------------|------------------------------|
| Tamper Switch | On-board (factory installed) |
| Grade (EN only) | 3 |

MISCELLANEOUS

| | |
|-----------------------|--|
| Display | Back-lit LCD, 16 alphanumeric character x 2 lines |
| Keys | 20 (back-lit) |
| Indicators | 8 tri-color LEDs (red, amber, green) |
| Card Range | Wiegand 64-bit cards from 0 (zero) to 4294967295 |
| Card Reader Interface | Supports Wiegand readers up to 64-bit |
| Offline Intelligence | Stores last 16 valid access card details for increased redundancy Activates if keypad loses RS485 communications with controller. |
| Multi-Format | Supports up to 5 different Wiegand access card formats simultaneously. One format must be 26-bit standard, however, the remaining 4 can be customized and include up to 3 parity bits. |

COMPLIANCE & ACCREDITATION

AS/NZS 3548:1995+A1+A2 Class A | CUL CSA-C22.2 | EN 50130-4:2011+A1: 2014 | EN 50130-5:2011 | EN 50131-1:2006+A1:2009 | EN 50131-3:2009 ECII SG3 | EN 55032 | EN 61000-4-2:1995+A1:1998 | EN 61000-4-3:2006 | EN 61000-4-4:2004 | EN 61000-4-5:1995+A1:2000 | EN 61000-4-6:2003+A1:2004 | EN 61000-4-11:2004 | FCC 47 Part 15/B Class A/B | NF&A2P 3 Shields ECII SG3 Option C IK06 | SSF 1014 Ver 3 | UL 294:1999 | UL 1076/ULC/ORD-C1076:1995 | UL 1610:1998 | ULC-S304:2006

ORDERING INFORMATION

| PART NUMBER | TYPE CODE | DESCRIPTION |
|-------------|---------------|--|
| 300 043 101 | 8101R-001-UL | PACOM 8101 LCD door access control and alarm system operation keypad |
| 300 043 102 | 8101AR-001-UL | PACOM 8101A LCD alarm system operation keypad |