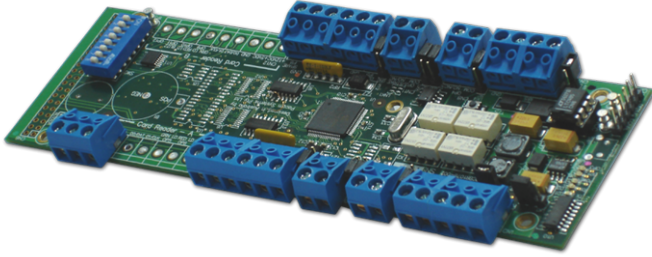


DATASHEET

1076 VAULT CONTROLLER MODULE



MAIN FEATURES

- ▶ Compact PCB, requiring minimal space on the panel
- ▶ Eight vault-specific supervised alarm inputs
- ▶ Four vault-specific relay controlled outputs
- ▶ Automatic baud-detect for fast and simple setup
- ▶ 12VDC power input
- ▶ Tamper Input
- ▶ Supports remote firmware upgrade
- ▶ Supports up to 16 vaults/ATMs, each with programmable timers
- ▶ Optional LED timer display available

The 1076-VC is specifically designed to control vault/ATM opening operation working with the PACOM controllers.

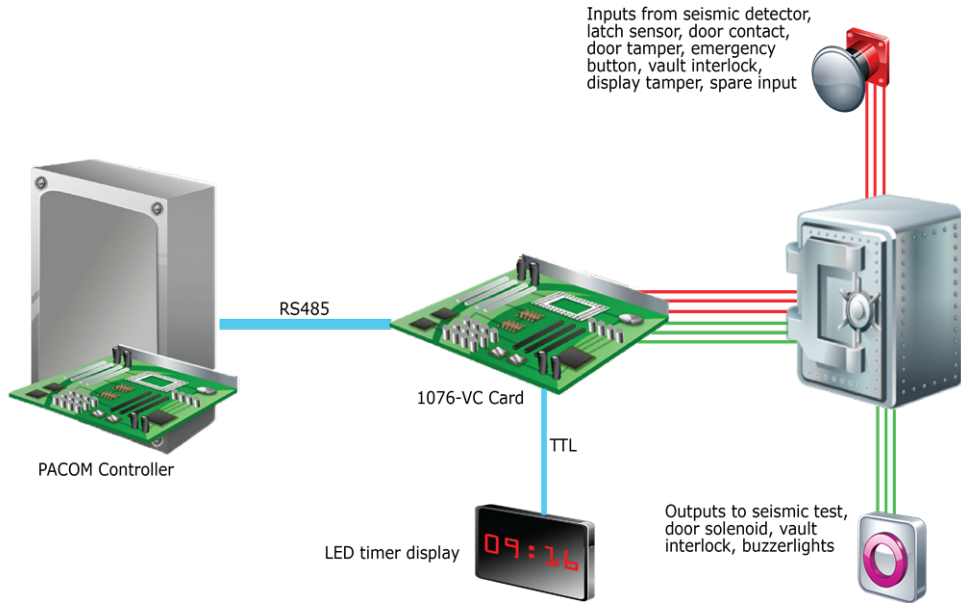
PACOM 1076 VAULT CONTROLLER

The PACOM 1076 Vault Controller (VC) module operates with the PACOM controllers (1057, 1058, 8001 and 8002), via the RS485 device line, to control the opening operation of a vault/ATM. It prevents unauthorized access by ensuring that a vault/ATM can be opened only when the pre-defined conditions are met.

The 1076-VC provides four pre-configured outputs (Seismic Test, Vault Door Solenoid, Interlock and External Buzzer) and eight pre-configured alarm inputs (Seismic Detector, Latch Sense, Vault Door Contact, Emergency Button, Door Lock Tamper, Interlock, Display Tamper and one spare).

The module has a dedicated tamper input which can be used with an external switch and mounts easily on PACOM enclosures- Standard Large Enclosure (ENCL-L-STD/1010-01PD - up to 8 per enclosure), Standard Enclosure (PDENCL-01- up to 4 per enclosure) and Door Controller Enclosure (PDENCL-02 - 1 per enclosure).

The 1076-VC also has an optional 4-digit 7-segment LED display, used to indicate vault-related timers, example, remaining vault open time.



TECHNICAL SPECIFICATIONS

Dimensions	55 x 174mm (2.2 x 6.9")
Weight	70g (2.4oz)
Status Indicator	5 x LED (Tx, Rx, power, output 1 active, output 3 active)
Operating Environment	EU: -10 to +55°C (14 to 131°F) UL: -10 to +55°C (14 to 131°F) 93% maximum humidity (non-condensing) @ 30°C (86°F)
Power Input	10.2 to 17.25VDC
Power Consumption	45mA @ 12VDC typical, excluding attached devices. 65mA maximum with all alarm conditions present and all outputs active etc
Power Output	10.2 to 13.8VDC 80mA maximum
Connectivity	RS485 (two wire)
Inputs	8 x supervised EOL monitored (10kOhm resistance standard)
Outputs	4 x relay controlled (1.0A @ 30VDC contacts)

COMPLIANCE/ACCREDITATION

AS/NZS 60950.1:2003+A1+A2+A3 | AS/NZS CISPR22:2002 Class B/A | EN 50130-4:2011 ECII SG3 | EN 50130-5:1998 ECII SG3 | EN 50131-1:2001+A1:2009 ECII SG3 | EN 50131-3:2009 ECII SG3 | EN 55032:2012 | EN 60950 1:2001+A1:2010+A11:2009+A12:2011 | EN 61000-3-2:2006+A1:2009+A2:2009 | EN 61000-3 3:1995+A1:2001+A2:2005 | FCC 47 CFR Part 15 | NF&A2P 3 Shields ECII SG3 Option C

ORDERING INFORMATION

PART NUMBER	TYPE CODE	DESCRIPTION
300 062 004	1076R-VC	1076-VC vault controller card (PCB only)
300 062 005	PD-DISP-01	4-digit LED display