



## DATASHEET

### PACOM-EDGE – 8101 KEYPAD



#### MAIN FEATURES

- ▶ Control and display the status of alarm areas/zones
- ▶ Back-lit two-line x 16 character liquid crystal display (LCD)
- ▶ Compatible with PACOM 1057, 1058, 8001, 8002 and 8003 controllers.
- ▶ Configurable messages and welcome text
- ▶ Buzzer with programmable frequencies
- ▶ Automatic baud-detect for fast and easy installation
- ▶ Tamper switch
- ▶ Tri-color alarm area status LEDs
- ▶ Built-in door controller (8101R only)

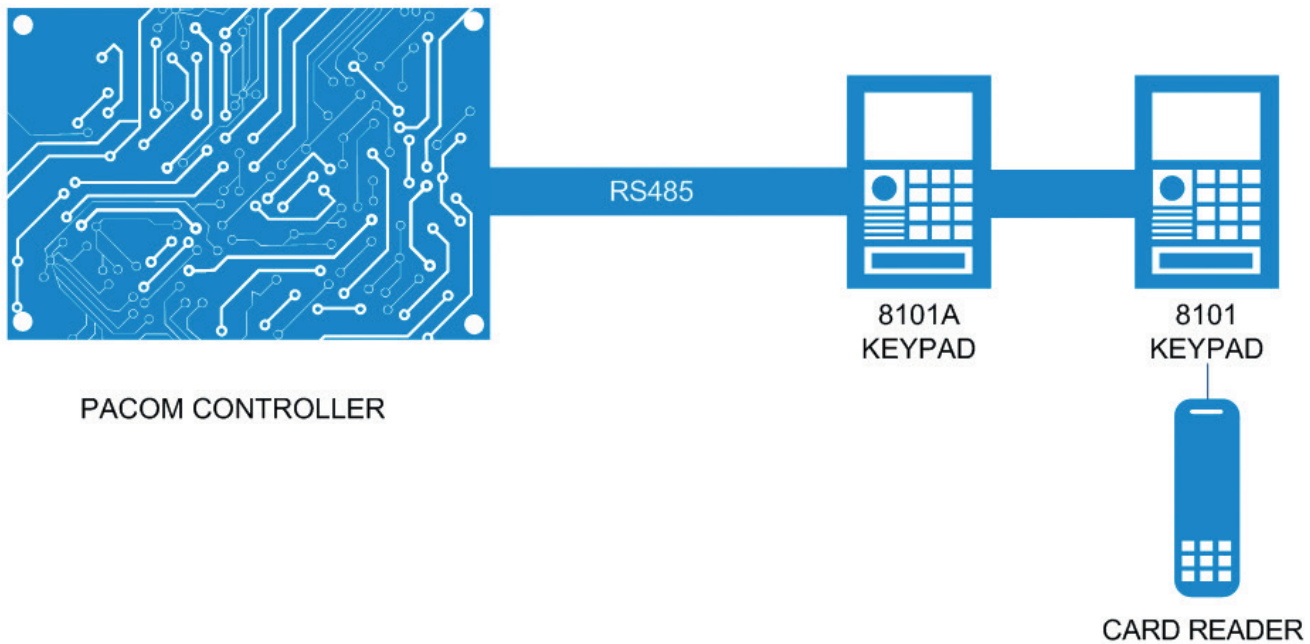
#### OVERVIEW

The PACOM 8101 series keypad features a modern design and intuitive button symbols for simple user operation. Equipped with a 2-line x 16 character liquid crystal display (LCD) and soft-touch buttons, the 8101 keypad can be used for local management of alarm areas.

The 8101 series keypad communicates via RS485 to the PACOM controller. Any alarm area can be managed by the keypad and tri-color LEDs can be assigned to indicate the status of each alarm area.

Two models are available - the 8101A, which is designed purely for PIN-based alarm operation; and the 8101, which includes an integrated single door controller for access control and simple PIN-free system operation. Both keypad models are compatible with PACOM 1057, 1058 and 8000 series controllers.

## ARCHITECTURE



## TECHNICAL SPECIFICATIONS

<p><b>CONNECTIVITY</b> RS485 (two wire)</p> <p><b>CARD READER INTERFACE</b> Supports Wiegand readers up to 64-bit</p> <p><b>SUPPORTED CARD RANGE</b> Wiegand 64-bit cards from 0 (zero) to 4294967295.</p> <p><b>INPUTS</b> 2 x 10kOhm end-of-line monitored. Can be programmed for general purpose (intrusion) operation. For access control applications, they are used for egress/request-to-exit and door status contact. 2 x non-EOL monitored, D0 and D1.</p> <p><b>OUTPUTS</b> 3 x open collector (100mA @ 30VDC). Can be programmed for general purpose (intrusion) operation. Generally used to control LEDs and beeper/buzzer within external card reader. 1 x relay (NO/NC) contact rating 1A @ 30VDC (typically door strike). Internal buzzer</p>	<p><b>ENCLOSURE</b> ABS plastic with 20 backlit keys</p> <p><b>STATUS INDICATORS</b> LED and buzzer</p> <p><b>DISPLAY</b> Backlit LCD, 16 alphanumeric character x 2 lines</p> <p><b>OPERATING ENVIRONMENT</b> EU: -10 to +55°C (14 to 131°F) UL: 0 to 50°C (32 to 122°F) 90% maximum humidity (non-condensing) @ 40°C (104°F)</p> <p><b>OFFLINE INTELLIGENCE</b> Stores last 16 valid access card details for increased redundancy. Activates if keypad loses RS485 communications with Controller.</p> <p><b>MULTI - FORMAT</b> Supports up to five different Wiegand access card formats simultaneously. One format must be 26-bit standard, however, the remaining four can be customized and include up to three parity bits.</p>	<p><b>APPROVALS</b> AS/NZS 3548:1995+A1+A2 Class A   CUL CSA-C22.2   EN 50130-4:2011 ECII SG3   EN 50130-5:1998 ECII SG3   EN 50131-1:2001+A1:2009 ECII SG3   EN 50131-3:2009 ECII SG3   EN 55022:2010 Class A/B   EN 61000-4-2:1995+A1:1998   EN 61000-4-3:2006   EN 61000-4-4:2004   EN 61000-4-5:1995+A1:2000   EN 61000-4-6:2003+A1:2004   EN 61000-4-11:2004   FCC 47 Part 15/B Class A/B   NF&amp;A2P 3 Shields ECII SG3 Option C IK06   SSF 1014 Ver 3   UL 294:1999   UL 1076/ULC/ORD-C1076:1995   UL 1610:1998   ULC-S304:2006</p> <p><b>DIMENSIONS</b> 160 x 110 x 30mm (6.3 x 4.2 x 1.2")</p> <p><b>WEIGHT</b> 400g (14.1oz)</p> <p><b>POWER CONSUMPTION</b> 310mA @ 12VDC typical. 390mA maximum</p> <p><b>POWER INPUT</b> 12 - 15 VDC input</p> <p><b>POWER OUTPUT</b> 10.2 to 13.8VDC 80mA maximum</p>
---	--	--

## ORDERING INFORMATION

PART NUMBER	TYPE CODE	DESCRIPTION
300 043 101	8101R-001-UL	PACOM 8101 LCD door access control and alarm system operation keypad
300 043 102	8101AR-001-UL	PACOM 8101A LCD alarm system operation keypad