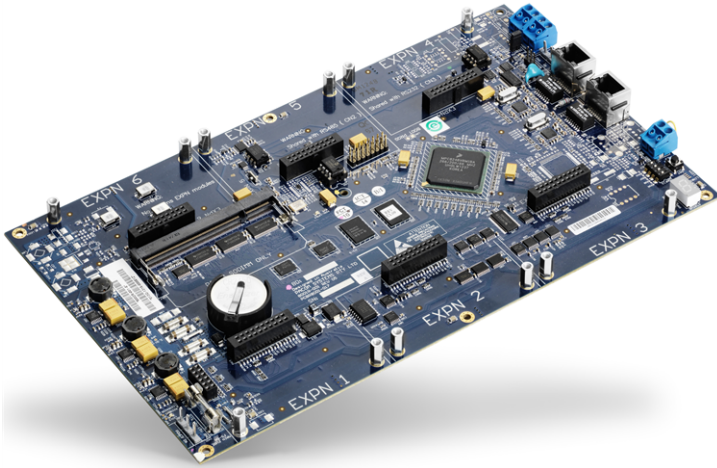


DATASHEET

8002 CONTROLLER



MAIN FEATURES

- ▶ Modular architecture ensures easy installation
- ▶ Dual Ethernet ports
- ▶ Anti-passback capabilities
- ▶ Auto-discovery of peripheral devices
- ▶ Dual-flash memory allows firmware upgrades while system active
- ▶ IP/RS485/RS232 ports
- ▶ Offline card and event transaction memory
- ▶ Multiple alarm area and keypad support
- ▶ Up to 256 inputs/64 outputs
- ▶ Peer-to-peer connections
- ▶ Slots for expansion card connection
- ▶ Small, medium and large variants for complete flexibility

The PACOM 8002 is a fully integrated network-enabled security controller, built using the PACOM-Edge technology for advanced alarm and access control applications with GMS and Unison.

PACOM 8002 CONTROLLER

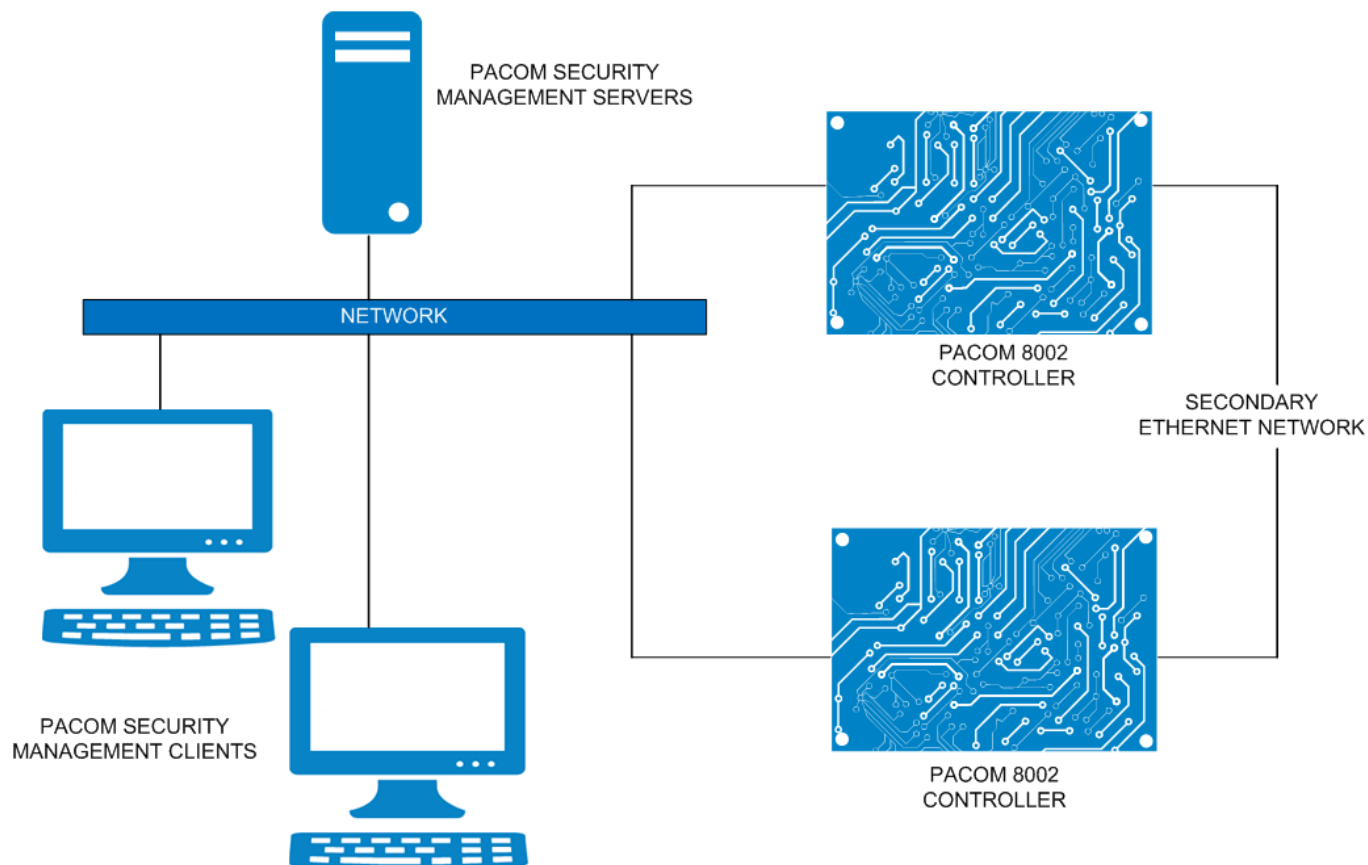
PACOM 8002 next generation controller is built using PACOM-Edge technology. PACOM-Edge represents a new family of devices enabling advanced security capabilities across an organization's Ethernet backbone. The IP capability means there is a reduced need for traditional security cabling which ensures convenient deployment and extensive scalability.

The 8002 delivers an optimal, all-in-one building platform that integrates all functionality required for a remote security system. The Security Controller can operate stand-alone for smaller buildings or as part of a fully integrated alarm and access control system for larger buildings or multi-site applications.

The modular architecture makes the 8002 simple to install and configure, as well as expand and integrate as your future security needs require. With dual on-board Ethernet capabilities, the 8002 is a fully integrated network-enabled security controller, providing the perfect platform to install and expand using your existing network infrastructure.

The 8002 Controller supports auto-discovery of peripheral devices for simplified installation. All doors can be individually configured to operate based on card only, PIN only, or card and PIN, with access schedules providing further control. Doors and alarm points can be partitioned into multiple areas of security, and can be controlled by multiple keypads.

With dual-flash memory, firmware upgrades can be performed without any disruption to the system. The 8002 can be conveniently installed in any location rated for a 3U rack mount device.



8002 Controller Models

- 8002 small capacity (S) Supports up to 8 card readers, 500 access cardholders (GMS/Unison), 32 inputs, 8 outputs, 32 alarm areas
- 8002 medium capacity (M) Supports up to 32 card readers, 2000 access cardholders (GMS/Unison), 128 inputs, 32 outputs, 32 alarm areas
- 8002 large capacity (L) Supports up to 64 card readers, 5000 access cardholders (GMS), 4000 access cardholders (Unison), 256 inputs, 64 outputs, 32 alarm areas. 64MB memory expansion card increases offline event storage to 128,000 and cardholder capacity to 256,000 (GMS) and 200,000 (Unison)
- 8002 Unison SODIMM socket for memory expansion. Supports 64 card readers, 5000 users/cards, 256 alarm inputs, 64 outputs and 32 areas.

TECHNICAL SPECIFICATIONS

Offline Transactions

- 1000 events (up to 128000 on 8002R-L with memory expansion card)

Network Connectivity

- Dual Ethernet 10/100 BaseT TCP/IP, UDP/IP
- Compatible with most 10/100/1000 MBPS Networks

Alarm

- N/A (expandable up to 256 depending on model)

Control

- N/A (expandable up to 64 depending on model)

Communication

- RS485 (each device line can support up to 32 PACOM RS485 peripheral devices. Maximum 5 lines with expansion cards)
- RS232 (configuration/diagnostics can be used for other serial interfaces)
- Dual Ethernet

Expansion Card Connection

- 6 x 20-pin (suitable for all 8000 series expansion cards, however, some expansion cards must be used in specific slots)

Supported Expansion Models

- 8201 GPRS Modem
- 8203 4-Output Expansion Module
- 8204 8-Input Expansion Module
- 8205 RS232/RS485 Expansion Module
- 8207 Star Coupler Expansion Module
- 8208 S-ART Interface
- 8209 PSTN Modem Expansion Module

Supported Peripheral Devices

- 8101 Series Keypads
- 8303 Monitoring Power Supply
- 8501 Input/Output Module
- 8602 Multi Interface
- 8603 Door Controller
- 1068 2-Input/1-Output Module
- 1076 8-input/4-output Module
- 1064 Single Door Controller
- 1076 Two Door Controller

Status Indicators

- 11 x LED (power, 7-segment multi-status, RS232 Rx, RS232 Tx, RS485 Rx, RS485 Tx, 5VDC power, 3VDC power, AC power, Ethernet)

Dimensions

- 273 x 160 x 18mm (10.8 x 6.3 x 0.7") - PCB only
- 273 x 160 x 28mm (10.8 x 6.3 x 1.1") - PCB with expansion cards
- 400 x 400 x 120mm (15.7 x 15.7 x 4.7") - with enclosure

Weight

- 515G (18.2OZ)
- 7.5KG (16.5LB) with enclosure

Memory

- On-board 8MB (battery backed up). Expandable up to 72MB

Power Input

- 12 to 15VDC @3A (fuse @ 5A)

Power Consumption

- 210mA @ 12VDC typical, excluding expansion cards. 230mA maximum with all alarm conditions present and all outputs active etc

Power Output

- 750mA @ 12VDC for peripheral devices (dedicated to devices other than expansion cards)

Operating Environment

- -10 to +55°C (14 to 131°F)
- 85% maximum humidity (non-condensing) @ 30°C (86°F)

COMPLIANCE AND ACCREDITATION

ANSI/SIA CP-01 [ETL listed] | EN 50130-4:1995+A1:1998+A2:2003 | EN 50130-5:1998 | EN 50131-1:2001+A1:2009 | EN 50131-3:2009 | EN 50131-6:2008 | EN 50136-1-1:1998+A1:2001+A2:2008 | EN 50136-1-2:1998 | EN 50136-1-5:2008 | EN 50136-2-1:1998+A1:2001 | EN 50136-2-2:1998 | EN 55022:2010 Class A/B | EN 60950-1:2001+A1:2010+A11:2009+A12:2011 | EN 61000-3-2:2006+A1:2009+A2:2009 | EN 61000-3-3:1995+A1:2001+A2:2005 | FCC 47 CFR Part 68 | FCC 47 Part 15/B Class A/B | SSF 1014 Ver 3 | UL 294 | UL 1076/ULC/ORD-C1076 | UL 1610 | UL 2017 | ULC-S304 | ULC-S319 [all UL are ETL listed]

ORDERING INFORMATION

PART NUMBER	TYPE CODE	DESCRIPTION
300 040 013	8002R-001-S	8002 Small Capacity Field Controller (PCB only).
300 040 014	8002R-001-M	8002 Medium Capacity Field Controller (PCB only).
300 040 015	8002R-001-L	8002 Large Capacity Field Controller (PCB Only).
300 040 016	8002R-001-S-UL	8002 Small Capacity Field Controller (PCB only).
300 040 017	8002R-001-M-UL	8002 Medium Capacity Field Controller (PCB only).
300 040 018	8002R-001-L-UL	8002 Large Capacity Field Controller (PCB only).
400 051 031	8002R-S-ENC	Includes: <ul style="list-style-type: none"> 8002 Small Capacity Field Controller 8303 Intelligent Power Supply (12VDC@4A) PACOM 8000 series enclosure with key lock and lid and base tamper switches
400 051 032	8002R-M-ENC	Includes: <ul style="list-style-type: none"> 8002 Medium Capacity Field Controller 8303 Intelligent Power Supply (12VDC@4A) PACOM 8000 series enclosure with key lock and lid and base tamper switches
400 051 033	8002R-L-ENC	Includes: <ul style="list-style-type: none"> 8002 Large Capacity Field Controller 8303 Intelligent Power Supply (12VDC@4A) PACOM 8000 series enclosure with key lock and lid and base tamper switches
400 051 041	8002R-S-ENC05	Includes: <ul style="list-style-type: none"> 8002 Small Capacity Field Controller 8305 Intelligent Power Supply (12VDC@3A) PACOM 8000 series enclosure with key lock and lid and base tamper switches
400 051 042	8002R-M-ENC05	Includes: <ul style="list-style-type: none"> 8002 Medium Capacity Field Controller 8305 Intelligent Power Supply (12VDC@3A) PACOM 8000 series enclosure with key lock and lid and base tamper switches
400 051 043	8002R-L-ENC05	Includes: <ul style="list-style-type: none"> 8002 Large Capacity Field Controller 8305 Intelligent Power Supply (12VDC@3A) PACOM 8000 series enclosure with key lock and lid and base tamper switches
400 051 051	8002R-S-ENC00	Includes: <ul style="list-style-type: none"> 8002 Small Capacity Field Controller PACOM 8000 series enclosure with key lock and lid and base tamper switches
400 051 052	8002R-M-ENC00	Includes: <ul style="list-style-type: none"> 8002 Medium Capacity Field Controller PACOM 8000 series enclosure with key lock and lid and base tamper switches
400 051 053	8002R-L-ENC00	Includes: <ul style="list-style-type: none"> 8002 Large Capacity Field Controller PACOM 8000 series enclosure with key lock and lid and base tamper switches
400 051 054	8002R-USN	8002 Controller for Unison Only applications. Includes all 8002 options including peer-to-peer, wireless alarm, high level reader interface and more. Next generation PACOM Edge integrated security system controller platform with SODIMM socket for memory expansion, 6 slots for various 8000 series expansion modules. Supports up to 64 card readers, 4000 access cardholders, 256 inputs, 64 outputs, 32 alarm areas. Adding a SODIMM 64MB memory expansion card increases offline event storage to 128,000 and cardholder capacity to 200,000. Requires 8002 firmware v1.13 or later. Not compatible with GMS.

PART NUMBER	TYPE CODE	DESCRIPTION
400 051 055	8002R-USN-ENC	<p>Includes:</p> <ul style="list-style-type: none"> • 8002 Controller for Unison Only applications • 8303 Intelligent Power Supply (12VDC@4A) • Standard Enclosure <p>Requires 8002 firmware v1.13 or later.</p> <p>Not compatible with GMS.</p>
400 051 056	8002R-USN-ENC00	<p>Includes:</p> <ul style="list-style-type: none"> • 8002 Controller for Unison Only applications • Standard Enclosure <p>Requires 8002 firmware v1.13 or later.</p> <p>Not compatible with GMS.</p>
400 051 057	8002R-USN-ENC-UL	<p>Includes:</p> <ul style="list-style-type: none"> • 8002 Controller for Unison Only applications • 8303 Intelligent Power Supply (12VDC@4A) • Standard Enclosure (US) <p>Requires 8002 firmware v1.13 or later.</p> <p>Not compatible with GMS.</p>
400 051 058	8002R-USN-ENC00-UL	<p>Includes:</p> <ul style="list-style-type: none"> • 8002 Controller for Unison Only applications • Standard Enclosure (US) <p>Requires 8002 firmware v1.13 or later.</p> <p>Not compatible with GMS.</p>
400 051 070	8002R-USN-ENC05	<p>Includes:</p> <ul style="list-style-type: none"> • 8002 Controller for Unison Only applications • 8305 Intelligent Power Supply (12VDC@3A) • Standard Enclosure <p>Requires 8002 firmware v1.13 or later.</p> <p>Not compatible with GMS.</p>
400 053 021	8002R-S-ENC-UL	<p>Includes:</p> <ul style="list-style-type: none"> • 8002 Small Capacity Field Controller • 8303 Intelligent Power Supply (12VDC@4A) • Standard Enclosure (US)
400 053 022	8002R-M-ENC-UL	<p>Includes:</p> <ul style="list-style-type: none"> • 8002 Medium Capacity Field Controller • 8303 Intelligent Power Supply (12VDC@4A) • Standard Enclosure (US)
400 053 023	8002R-L-ENC-UL	<p>Includes:</p> <ul style="list-style-type: none"> • 8002 Large Capacity Field Controller • 8303 Intelligent Power Supply (12VDC@4A) • Standard Enclosure (US)
400 053 031	8002R-S-UENC-05	<p>Includes:</p> <ul style="list-style-type: none"> • 8002 Small Capacity Field Controller • 8305 Intelligent Power Supply (12VDC@3A) • Standard Enclosure (US)
400 053 032	8002R-M-UENC-05	<p>Includes:</p> <ul style="list-style-type: none"> • 8002 Medium Capacity Field Controller • 8305 Intelligent Power Supply (12VDC@3A) • Standard Enclosure (US)

PART NUMBER	TYPE CODE	DESCRIPTION
400 053 033	8002R-L-UENC-05	Includes: <ul style="list-style-type: none"> • 8002 Large Capacity Field Controller • 8305 Intelligent Power Supply (12VDC@3A) • Standard Enclosure (US)
400 054 005	8002R-001-NFA2P- KIT1	8002 Controller NFA2P Approved Kit 1 Includes: <ul style="list-style-type: none"> • 8002 Large Capacity Field Controller • 8202 Modem Expansion Module • 8203 (4) Output Expansion Module • 8204 (8) Input Expansion Module • Standard Enclosure
400 054 006	8002R-001-NFA2P- KIT2	8002 Controller NFA2P Approved Kit 2 Includes: <ul style="list-style-type: none"> • 8002 Large Capacity Field Controller • 8202 Modem Expansion Module • 8203 (4) Output Expansion Module • 8204 (8) Input Expansion Module • 8201 3G GPRS Expansion Module • Standard Enclosure